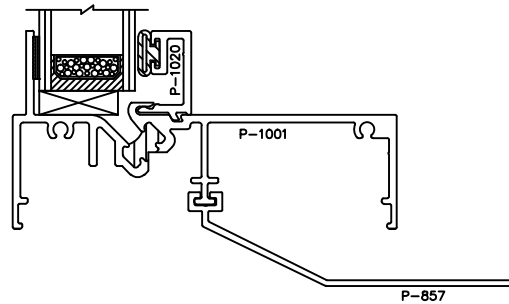
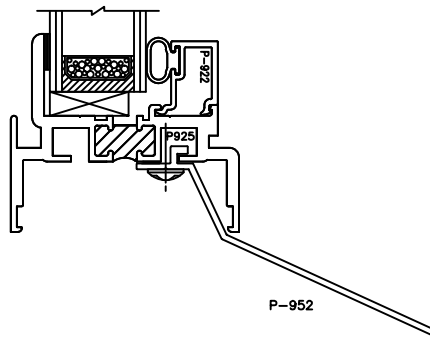


STRAP ANCHOR (P-857) FOR USE ON 4" WINDOW SYSTEMS**STRAP ANCHOR (P-952) FOR USE ON 2-3/8" H.C. WINDOW SYSTEMS**

Let's Shine.

800.737.2800 • fax 417.862.1232 • BoydAluminum.com

©2011 Boyd Aluminum Manufacturing. The Boyd sunburst and logotype are trademarks of Boyd Aluminum Manufacturing. All rights reserved. Due to continued product research, specifications are subject to change without notice.

ACC11-1
Boyd 2012